

CONTINENTAL GLASS SYSTEMS, LLC.

SERIES 3020 WINDOW WALL (LMI & SMI)

PREPARED BY:



BUILDING DROPS, INC.
 398 E. DANIA BEACH BLVD., STE. 338
 DANIA BEACH, FL 33004
 PH: (954)399-8478
 FAX: (954)744.4738
 WEB: www.buildingdrops.com

INSTALLATION NOTES:

- ONE (1) INSTALLATION ANCHORS ON HEAD, SILL, AND JAMB FOR EACH ANCHOR LOCATION SHOWN, UNLESS OTHERWISE STATED.
- THE NUMBER OF INSTALLATION ANCHORS DEPICTED IS THE MINIMUM NUMBER OF ANCHORS TO BE USED FOR PRODUCT INSTALLATION.
- INSTALL INDIVIDUAL INSTALLATION ANCHORS WITHIN A TOLERANCE OF ±1/2 INCH OF THE DEPICTED LOCATION IN THE ANCHOR LAYOUT DETAIL (I.E., WITHOUT CONSIDERATION OF TOLERANCES). TOLERANCES ARE NOT CUMULATIVE FROM ONE INSTALLATION ANCHOR TO THE NEXT.
- SHIM AS REQUIRED AT EACH INSTALLATION ANCHOR WITH LOAD BEARING SHIM(S). MAXIMUM ALLOWABLE SHIM STACK TO BE 1/4 INCH. SHIM WHERE SPACE OF 1/16 INCH OR GREATER OCCURS. SHIM(S) SHALL BE CONSTRUCTED OF HIGH DENSITY PLASTIC OR BETTER.
- THROUGH FRAME:** FOR INSTALLATION INTO WOOD FRAMING USE 5/16 INCH DIAMETER ELCO ULTRACON SCREWS OF SUFFICIENT LENGTH TO ACHIEVE 1 1/2 INCH MINIMUM EMBEDMENT.
- THROUGH FRAME:** FOR INSTALLATION THROUGH 1X BUCK TO CONCRETE/MASONRY OR DIRECTLY INTO CONCRETE/MASONRY USE 5/16 INCH DIAMETER ELCO ULTRACON SCREWS OF SUFFICIENT LENGTH TO ACHIEVE 1 1/2 INCH MINIMUM EMBEDMENT INTO CONCRETE/MASONRY.
- MINIMUM EMBEDMENT AND EDGE DISTANCE EXCLUDE WALL FINISHES, INCLUDING BUT NOT LIMITED TO STUCCO, FOAM, BRICK VENEER, AND SIDING.
- INSTALLATION ANCHORS AND ASSOCIATED HARDWARE MUST BE MADE OF CORROSION RESISTANT MATERIAL OR HAVE A CORROSION RESISTANT COATING.
- FOR GROUT FILLED BLOCK, DO NOT INSTALL INSTALLATION ANCHORS INTO MORTAR JOINTS. EDGE DISTANCE IS MEASURED FROM FREE EDGE OF BLOCK OR EDGE OF MORTAR JOINT INTO FACE SHELL OF BLOCK.
- INSTALLATION ANCHORS SHALL BE INSTALLED IN ACCORDANCE WITH ANCHOR MANUFACTURER'S INSTALLATION INSTRUCTIONS, AND ANCHORS SHALL NOT BE USED IN SUBSTRATES WITH STRENGTHS LESS THAN THE MINIMUM STRENGTH SPECIFIED BY THE ANCHOR MANUFACTURER.
- INSTALLATION ANCHOR CAPACITIES FOR PRODUCTS HEREIN ARE BASED ON SUBSTRATE MATERIALS WITH THE FOLLOWING PROPERTIES:
 - WOOD - MINIMUM SPECIFIC GRAVITY OF 0.55.
 - CONCRETE - MINIMUM COMPRESSIVE STRENGTH OF 3000 PSI.
 - GROUT-FILLED CMU- UNIT STRENGTH CONFORMS TO ASTM C-90 WITH MINIMUM COMPRESSIVE STRENGTH OF 2000 PSI AND GROUT CONFORMS TO ASTM C 476, MINIMUM GROUT COMPRESSIVE STRENGTH OF 2000 PSI.

GENERAL NOTES:

- THE PRODUCT SHOWN HEREIN IS DESIGNED AND MANUFACTURED TO COMPLY WITH THE CURRENT FLORIDA BUILDING CODE (FBC), INCLUDING HVHZ AND HAS BEEN TESTED AND EVALUATED ACCORDING TO THE FOLLOWING:
 - TAS 201-94
 - TAS 202-94
 - TAS 203-94
 - AAMA 501-05
- ADEQUACY OF THE EXISTING STRUCTURAL CONCRETE/MASONRY AND 2X FRAMING AS A MAIN WIND FORCE RESISTING SYSTEM CAPABLE OF WITHSTANDING AND TRANSFERRING APPLIED PRODUCT LOADS TO THE FOUNDATION IS THE RESPONSIBILITY OF THE ENGINEER OR ARCHITECT OF RECORD FOR THE PROJECT OF INSTALLATION.
- 1X AND 2X BUCKS (WHEN USED) SHALL BE DESIGNED AND ANCHORED TO PROPERLY TRANSFER ALL LOADS TO THE STRUCTURE. BUCK DESIGN AND INSTALLATION IS THE RESPONSIBILITY OF THE ENGINEER OR ARCHITECT OF RECORD FOR THE PROJECT OF INSTALLATION.
- THE INSTALLATION DETAILS DESCRIBED HEREIN ARE GENERIC AND MAY NOT REFLECT ACTUAL CONDITIONS FOR A SPECIFIC SITE. IF SITE CONDITIONS CAUSE INSTALLATION TO DEVIATE FROM THE REQUIREMENTS DETAILED HEREIN, A LICENSED ENGINEER OR ARCHITECT SHALL PREPARE SITE SPECIFIC DOCUMENTS FOR USE WITH THIS DOCUMENT.
- APPROVED IMPACT PROTECTIVE SYSTEM **IS NOT REQUIRED** ON THIS PRODUCT IN AREAS REQUIRING IMPACT RESISTANCE.
- WINDOW FRAME MATERIAL: 6063-T6 ALUMINUM
- GLASS MEETS THE REQUIREMENTS OF ASTM E 1300 GLASS CHARTS. SEE SHEET 8 FOR GLAZING DETAILS.
- DESIGNATION "O" STANDS FOR THE FOLLOWING:
 - O: FIXED PANEL
 - O/O: FIXED PANEL OVER FIXED PANEL
 - O-O: FIXED PANEL NEXT TO FIXED PANEL
- CONFIGURATIONS SHOWN ON DRAWING ARE TYPICAL. ALTERNATE CONFIGURATIONS MAY BE QUALIFIED ON A SITE SPECIFIC BASIS

TABLE OF CONTENTS		
SHEET	REVISION	SHEET DESCRIPTION
1	-	INSTALLATION & GENERAL NOTES
2	-	ELEVATIONS
3	-	ELEVATIONS
4	-	VERTICAL SECTIONS
5	-	HORIZONTAL SECTIONS
6	-	ANCHOR LOCATIONS
7	-	BOM & COMPONENTS
8	-	GLAZING DETAILS
9	-	REINFORCING DETAILS AND ASSEMBLY NOTES

CONFIGURATION	MAX OVERALL SIZE		DESIGN PRESSURE	REINFORCING	GLAZING OPTIONS	DLO	MISSILE IMPACT RATING
	WIDTH	HEIGHT					
O/O	120"	103.5"	+/- 90 PSF	STEEL	GL-1, GL-1A, GL-1B, GL-3 & GL-3A	115" X 48"	LARGE MISSILE
O-O/O-O	154"	120"			GL-1, GL-1A, GL-1B, GL-3 GL-3A & GL-5	48" X 115"	LARGE MISSILE
O-O/O-O	154"	120"			GL-2, GL-2A, GL-2B & GL-4A	48" X 115"	SMALL MISSILE
O-O-O	154"	120"			GL-1, GL-1A, GL-1B, GL-3 GL-3A & GL-5	48" X 115"	LARGE MISSILE
O-O-O	154"	120"			GL-2, GL-2A, GL-2B, GL-4 & GL-4A	48" X 115"	SMALL MISSILE
O-O-O	154"	96"			+/- 60 PSF	-	GL-1, GL-1A, GL-1B, GL-3 GL-3A & GL-5
O/O	96"	103.5"	GL-1, GL-1A, GL-1B, GL-3 GL-3A & GL-5	91" X 48"			LARGE MISSILE
O-O-O	154"	96"	GL-2, GL-2A, GL-2B, GL-4, GL-4A	48" X 91"			SMALL MISSILE
O/O	96"	103.5"	GL-2, GL-2A, GL-2B, GL-4, GL-4A	91" X 48"			SMALL MISSILE

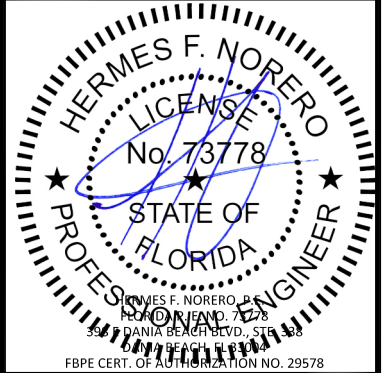
TITLE: SERIES 3020 WINDOW WALL
 INSTALLATION & GENERAL NOTES

325 WEST 74 PLACE,
 HIALEAH, FL 33014
 PH: (305)231-1101
 FAX: (305)231-1103



REMARKS	BY	DATE

THIS DOCUMENT IS THE PROPERTY OF BUILDING DROPS, INC. AND SHALL NOT BE REPRODUCED IN WHOLE OR PART WITHOUT WRITTEN CONSENT OF BUILDING DROPS, INC. ALTERATIONS, ADDITIONS, HIGHLIGHTING, OR OTHER MARKINGS TO THIS DOCUMENT ARE NOT PERMITTED AND INVALIDATE OUR CERTIFICATION.



FL23314

DATE: **08.23.17**

DWG. BY: **LA** CHK. BY: **SM**

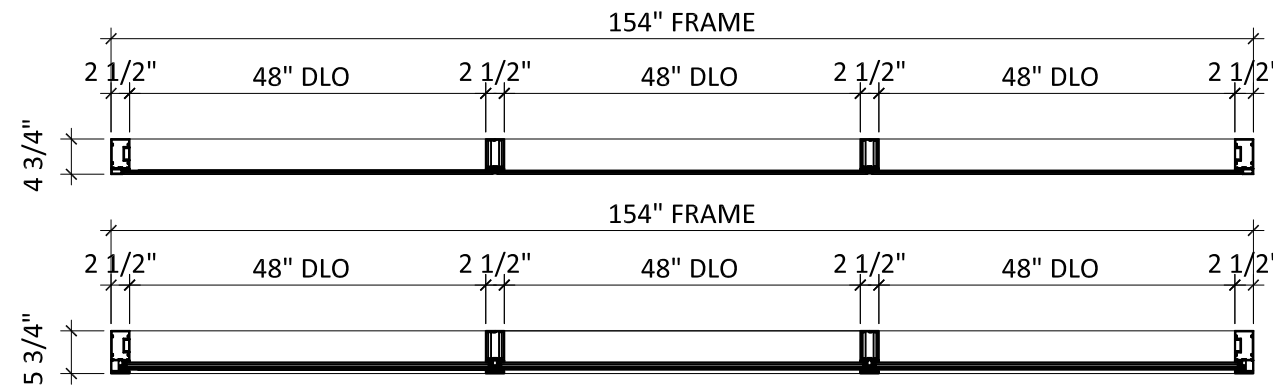
SCALE: **NTS**

DWG. #: **CGS159**

SHEET: OF 9

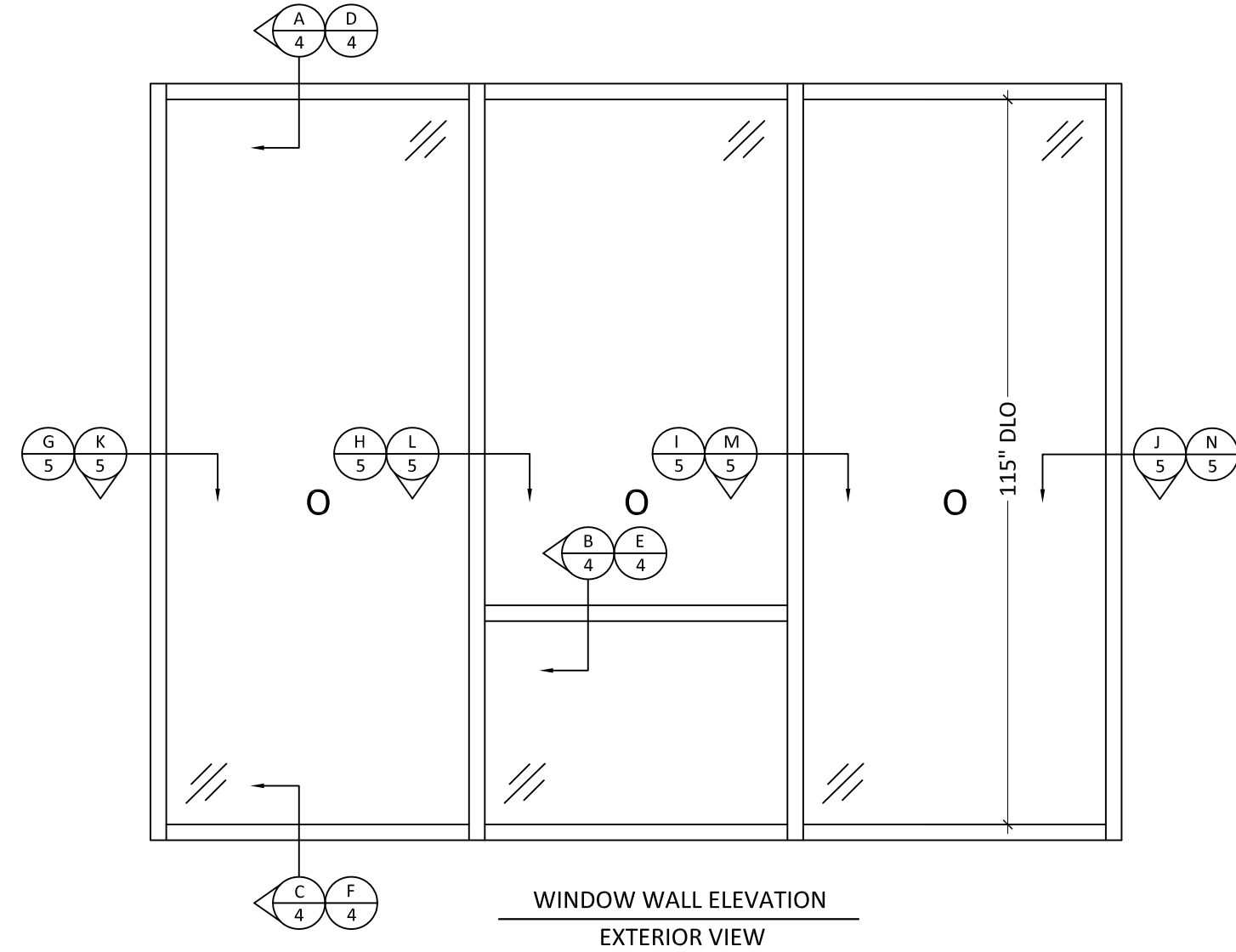
1

s:\projects\continental_glass_systems\Fbc-16-0653_fbc_submittal_series_3020_sliding_glass_door_series_3020_fixed_window_door_approval_dwg\series_3020_cg159_series_3020_w.dwg 11/1/2017 2:31 PM

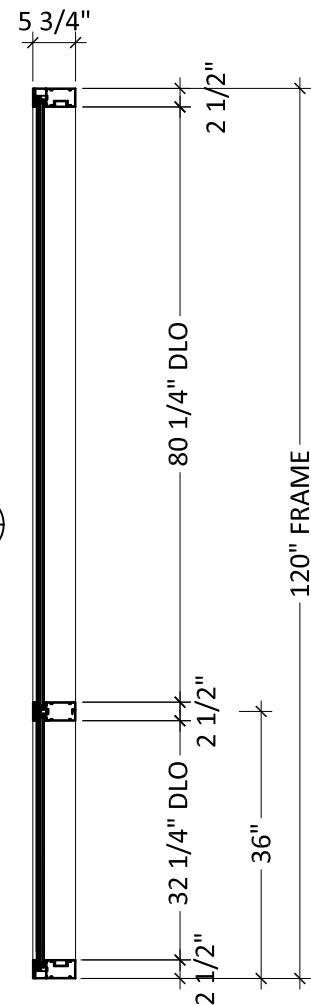


TYPICAL MONOLITHIC LAMINATED GLAZING

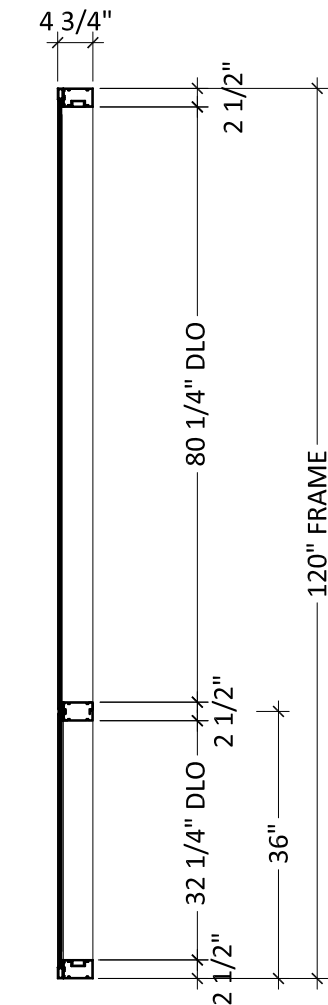
TYPICAL INSULATED LAMINATED GLAZING



WINDOW WALL ELEVATION
EXTERIOR VIEW



TYPICAL INSULATED LAMINATED GLAZING



TYPICAL MONOLITHIC LAMINATED GLAZING

NOTE, O-O/O-O CONFIGURATION SHOWN IS TYPICAL OF O, O-O, AND O-O-O CONFIGURATIONS. ALTERNATE CONFIGURATIONS ARE POSSIBLE AND SHALL BE QUALIFIED ON A SITE SPECIFIC BASIS.

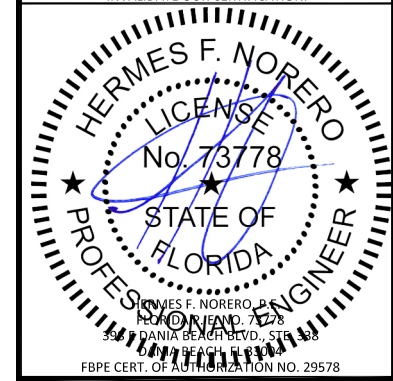
TITLE: SERIES 3020 WINDOW WALL ELEVATIONS

325 WEST 74 PLACE,
 HIALEAH, FL 33014
 PH: (305)231-1101
 FAX: (305)231-1103



REMARKS	BY	DATE

THIS DOCUMENT IS THE PROPERTY OF BUILDING DROPS, INC. AND SHALL NOT BE REPRODUCED IN WHOLE OR PART WITHOUT WRITTEN CONSENT OF BUILDING DROPS, INC. ALTERATIONS, ADDITIONS, HIGHLIGHTING, OR OTHER MARKINGS TO THIS DOCUMENT ARE NOT PERMITTED AND INVALIDATE OUR CERTIFICATION.



FL23314

DATE:	08.23.17
DWG. BY:	LA
CHK. BY:	SM
SCALE:	NTS
DWG. #:	CGS159
SHEET:	OF 9

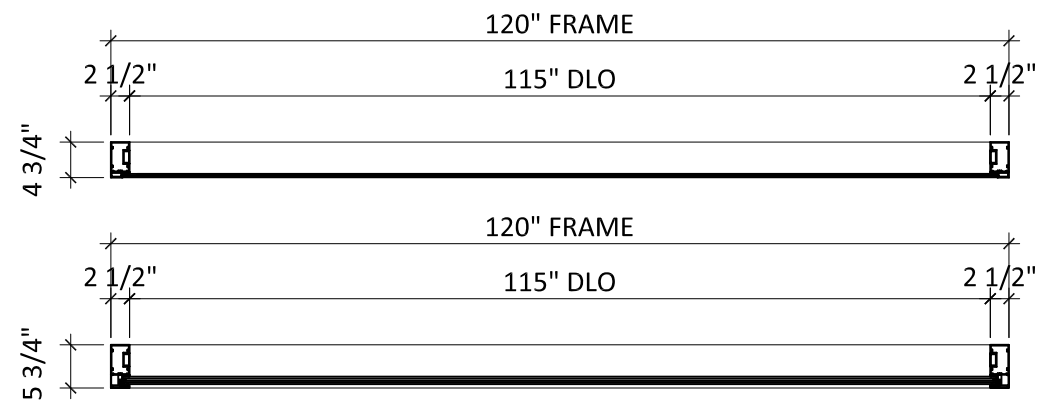
s:\projects\continental_glass_systems\fb-16-0653_fb-submittal_series_3020_sliding_glass_door_&_series_3020_fixed_window\dwgs\approval_dwg\3020_cgsl159_series_3020_w.dwg 11/1/2017 2:31 PM

PREPARED BY:



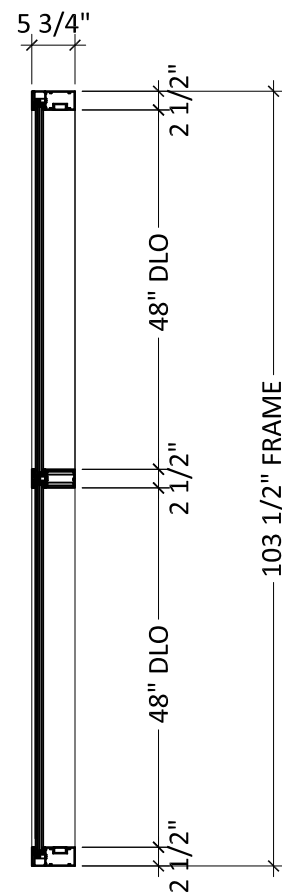
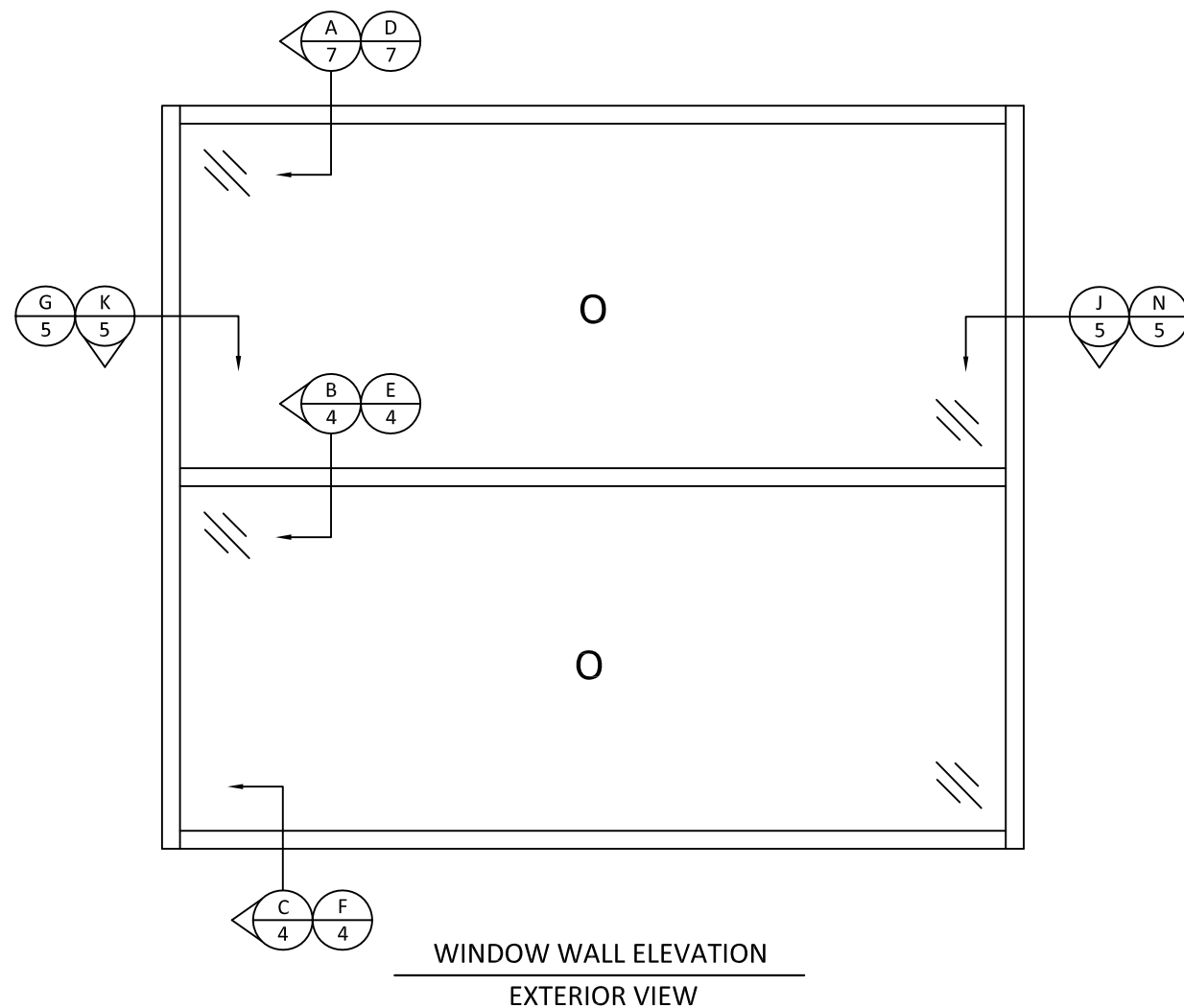
BUILDING DROPS, INC.

398 E. DANIA BEACH BLVD., STE. 338
 DANIA BEACH, FL 33004
 PH: (954)399-8478
 FAX: (954)744.4738
 WEB: www.buildingdrops.com

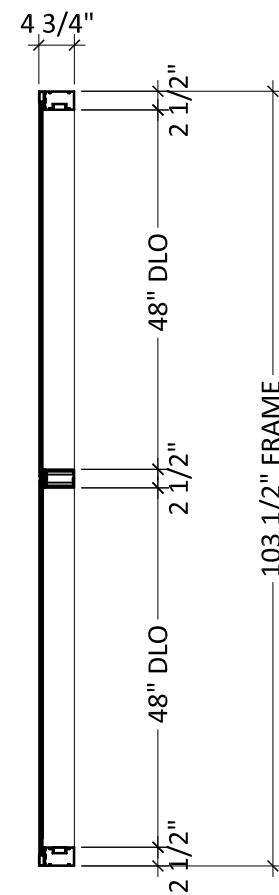


TYPICAL MONOLITHIC LAMINATED GLAZING

TYPICAL INSULATED LAMINATED GLAZING



TYPICAL INSULATED LAMINATED GLAZING



TYPICAL MONOLITHIC LAMINATED GLAZING

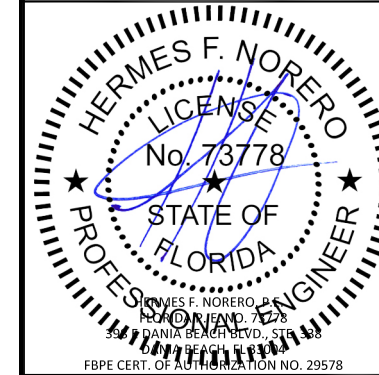
TITLE: SERIES 3020 WINDOW WALL ELEVATIONS

325 WEST 74 PLACE,
 HIALEAH, FL 33014
 PH: (305)231-1101
 FAX: (305)231-1103



REMARKS	BY	DATE

THIS DOCUMENT IS THE PROPERTY OF BUILDING DROPS, INC. AND SHALL NOT BE REPRODUCED IN WHOLE OR PART WITHOUT WRITTEN CONSENT OF BUILDING DROPS, INC. ALTERATIONS, ADDITIONS, HIGHLIGHTING, OR OTHER MARKINGS TO THIS DOCUMENT ARE NOT PERMITTED AND INVALIDATE OUR CERTIFICATION.



FL23314

DATE: 08.23.17

DWG. BY: LA CHK. BY: SM

SCALE: NTS

DWG. #: CGS159

SHEET: OF 9

3

PREPARED BY:

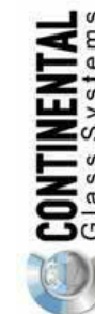


BUILDING DROPS, INC.

398 E. DANIA BEACH BLVD., STE. 338
 DANIA BEACH, FL 33004
 PH: (954)399-8478
 FAX: (954)744.4738
 WEB: www.buildingdrops.com

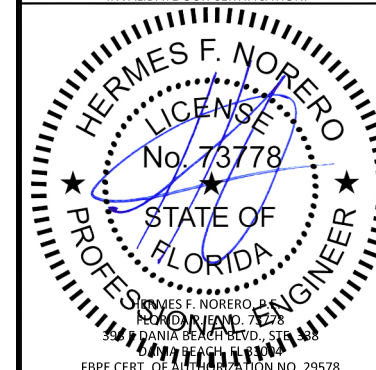
TITLE:
**SERIES 3020 WINDOW WALL
 VERTICAL SECTIONS**

325 WEST 74 PLACE,
 HIALEAH, FL 33014
 PH: (305)231-1101
 FAX: (305)231-1103



REMARKS	BY	DATE

THIS DOCUMENT IS THE PROPERTY OF BUILDING DROPS, INC. AND SHALL NOT BE REPRODUCED IN WHOLE OR PART WITHOUT WRITTEN CONSENT OF BUILDING DROPS, INC. ALTERATIONS, ADDITIONS, HIGHLIGHTING, OR OTHER MARKINGS TO THIS DOCUMENT ARE NOT PERMITTED AND INVALIDATE OUR CERTIFICATION.



FL23314

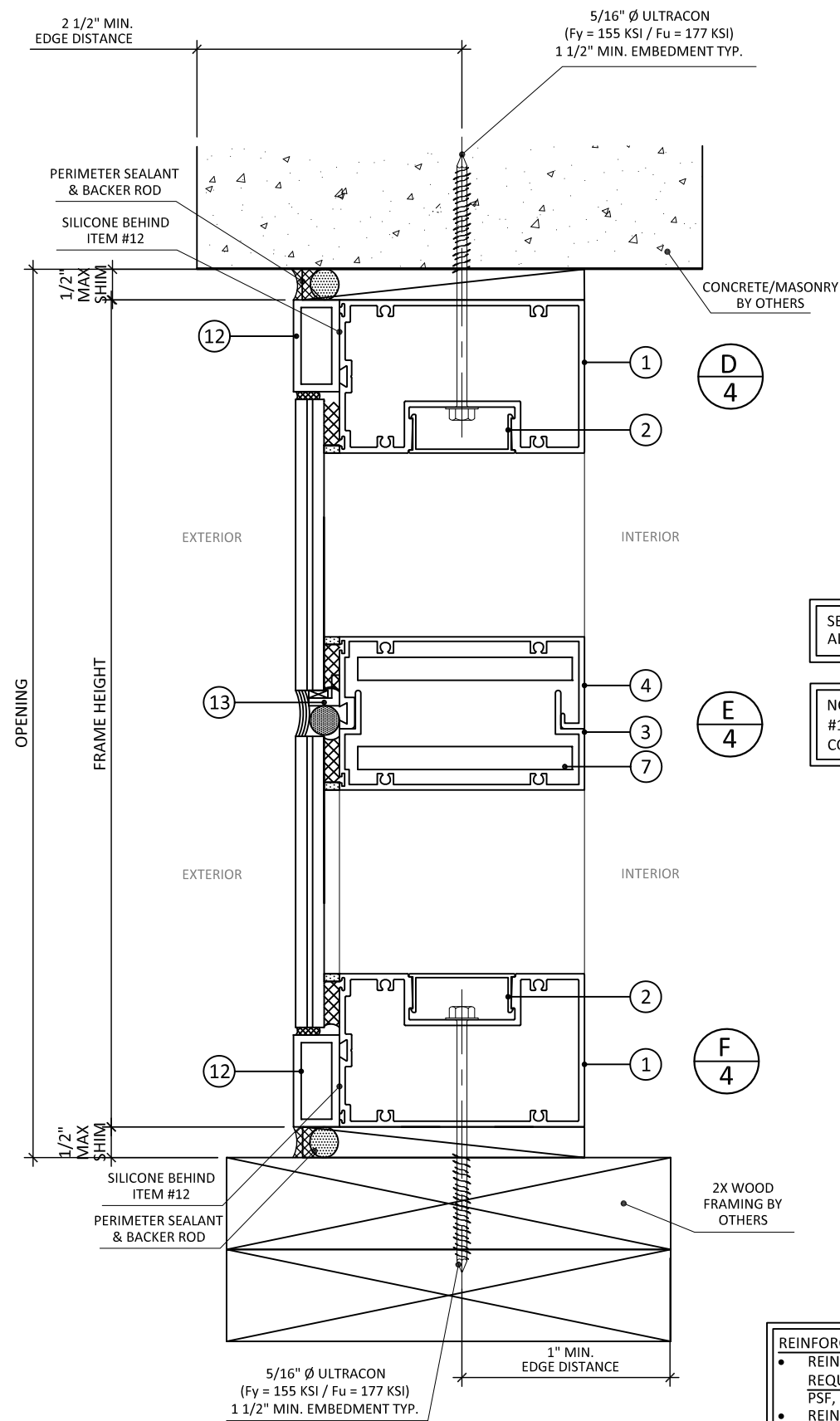
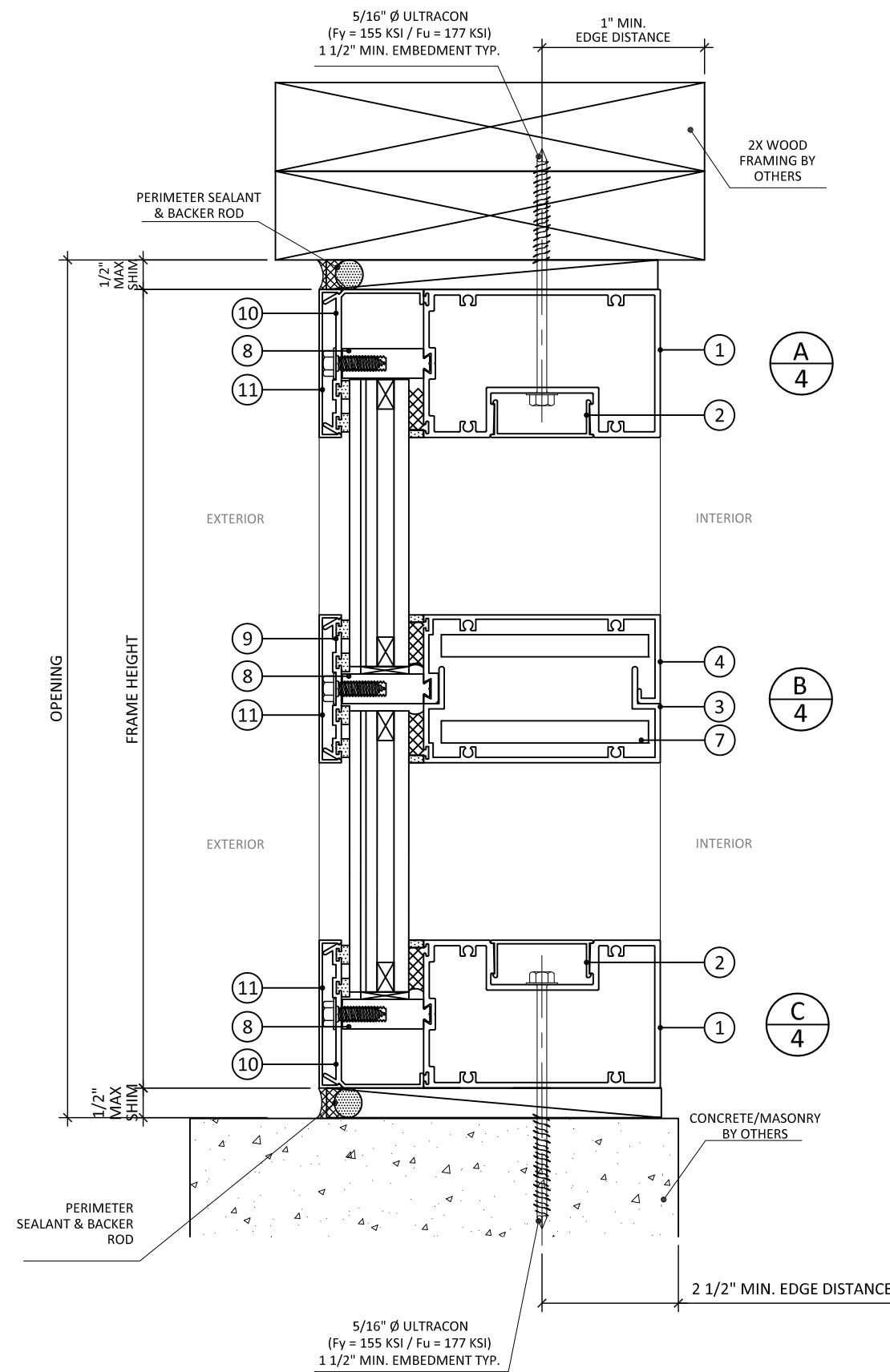
DATE: **08.23.17**

DWG. BY: **LA** CHK. BY: **SM**

SCALE: **NTS**

DWG. #: **CGS159**

SHEET: **4** OF 9



SEE SHEET 8 FOR QUALIFIED ALTERNATE GLAZING CONDITIONS

NOTE: ITEM #13 FASTENED WITH #10 X 1" PH-PH SS SMS 6" FROM CORNERS AND AT CENTER.

REINFORCING NOTES:

- REINFORCING (ITEM #7) IN MULLIONS NOT REQUIRED FOR SPANS UP TO 96" AT DP +/-60 PSF, OR FOR SPANS UP TO 48" AT 90 PSF.
- REINFORCING REQUIRED FOR SPANS OVER 96" AND/OR DP GREATER THAN +/- 60 PSF.
- SEE DESIGN PRESSURE TABLE, SHEET 1.
- SEE SHEET 8 FOR ADDITIONAL DETAIL.

s:\projects\continental_glass_systems\fb-16-0653_fb-submittal_series_3010_sliding_glass_door_&_series_3020_fixed_window\dwgs\approval_drawings\3020_cgsl159_series_3020_w.dwg 11/1/2017 2:32 PM

PREPARED BY:



BUILDING DROPS, INC.

398 E. DANIA BEACH BLVD., STE. 338
DANIA BEACH, FL 33004
PH: (954)399-8478
FAX: (954)744.4738
WEB: www.buildingdrops.com

SERIES 3020 WINDOW WALL
HORIZONTAL SECTIONS

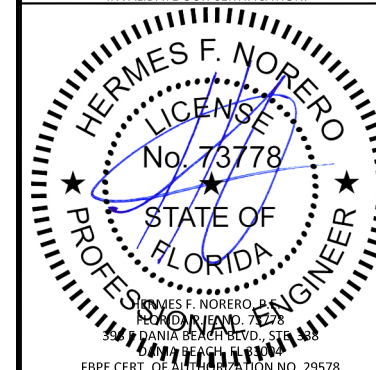
325 WEST 74 PLACE,
HIALEAH, FL 33014
PH: (305)231-1101
FAX: (305)231-1103



TITLE:

REMARKS	BY	DATE

THIS DOCUMENT IS THE PROPERTY OF BUILDING DROPS, INC. AND SHALL NOT BE REPRODUCED IN WHOLE OR PART WITHOUT WRITTEN CONSENT OF BUILDING DROPS, INC. ALTERATIONS, ADDITIONS, HIGHLIGHTING, OR OTHER MARKINGS TO THIS DOCUMENT ARE NOT PERMITTED AND INVALIDATE OUR CERTIFICATION.



FL23314

DATE: 08.23.17

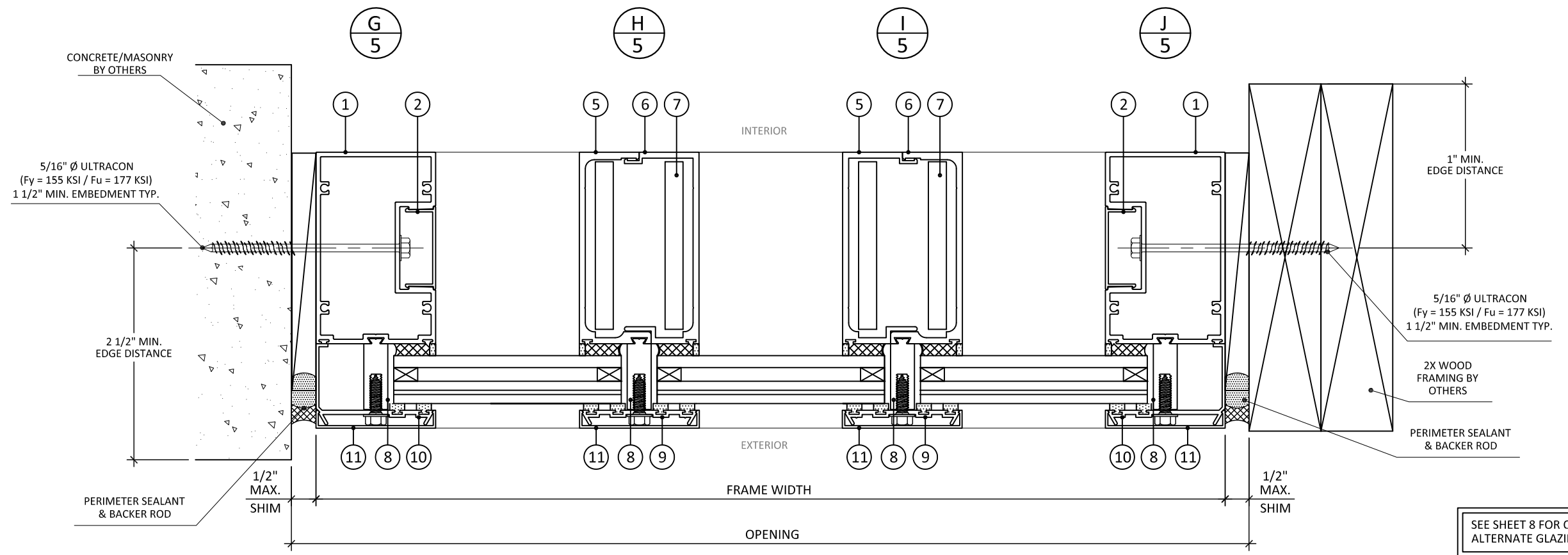
DWG. BY: LA CHK. BY: SM

SCALE: NTS

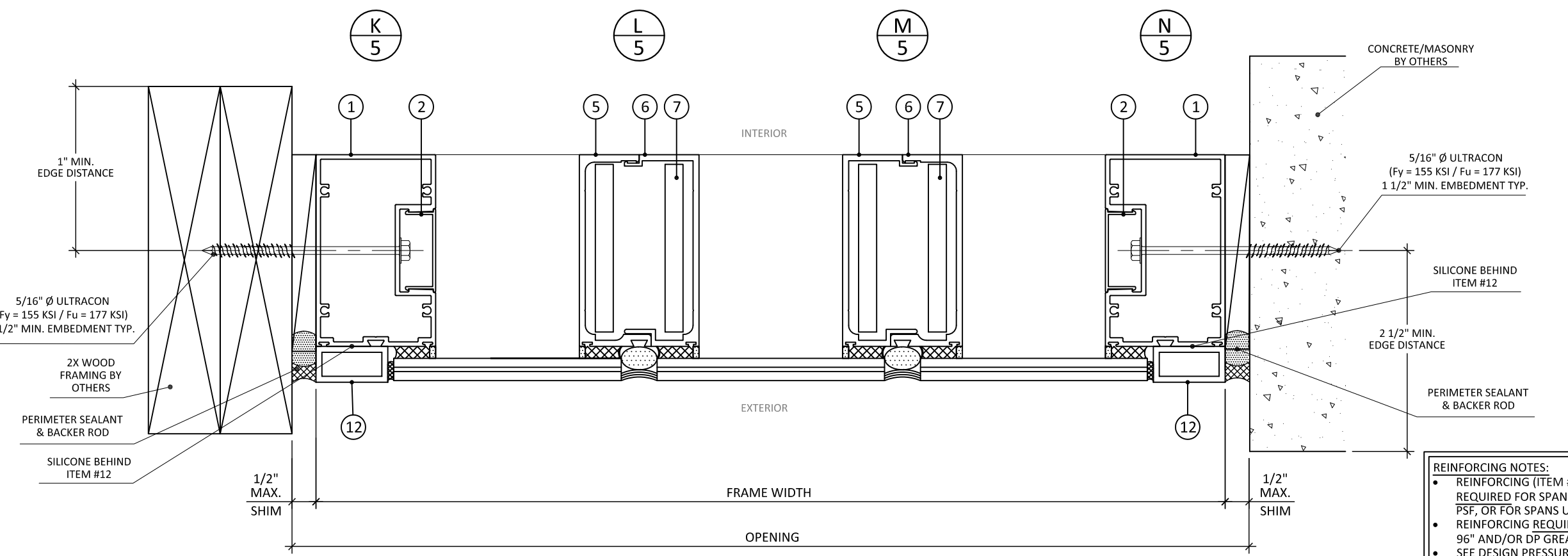
DWG. #: CGS159

SHEET: 5 OF 9

5



SEE SHEET 8 FOR QUALIFIED ALTERNATE GLAZING CONDITIONS



REINFORCING NOTES:

- REINFORCING (ITEM #7) IN MULLIONS NOT REQUIRED FOR SPANS UP TO 96" AT DP +/- 60 PSF, OR FOR SPANS UP TO 48" AT 90 PSF.
- REINFORCING REQUIRED FOR SPANS OVER 96" AND/OR DP GREATER THAN +/- 60 PSF.
- SEE DESIGN PRESSURE TABLE, SHEET 1.
- SEE SHEET 8 FOR ADDITIONAL DETAIL.

s:\projects\continental glass systems\fb-16-0653 fb- submital series 3010 sliding glass door & series 3020 fixed window dwgs\approval drawings\3020\cgs159 series 3020 ww.dwg 11/1/2017 2:32 PM

PREPARED BY:



BUILDING DROPS, INC.

398 E. DANIA BEACH BLVD., STE. 338
DANIA BEACH, FL 33004
PH: (954)399-8478
FAX: (954)744.4738
WEB: www.buildingdrops.com

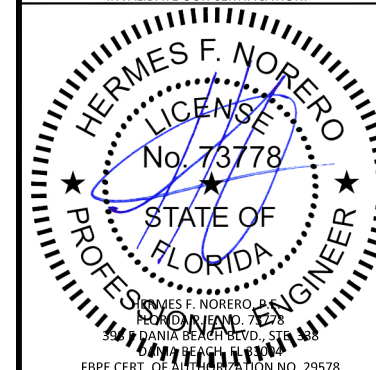
TITLE:
SERIES 3020 WINDOW WALL
ANCHOR LOCATIONS

325 WEST 74 PLACE,
HIALEAH, FL 33014
PH: (305)231-1101
FAX: (305)231-1103



REMARKS	BY	DATE

THIS DOCUMENT IS THE PROPERTY OF BUILDING DROPS, INC. AND SHALL NOT BE REPRODUCED IN WHOLE OR PART WITHOUT WRITTEN CONSENT OF BUILDING DROPS, INC. ALTERATIONS, ADDITIONS, HIGHLIGHTING, OR OTHER MARKINGS TO THIS DOCUMENT ARE NOT PERMITTED AND INVALIDATE OUR CERTIFICATION.



FL23314

DATE: 08.23.17

DWG. BY:
LA

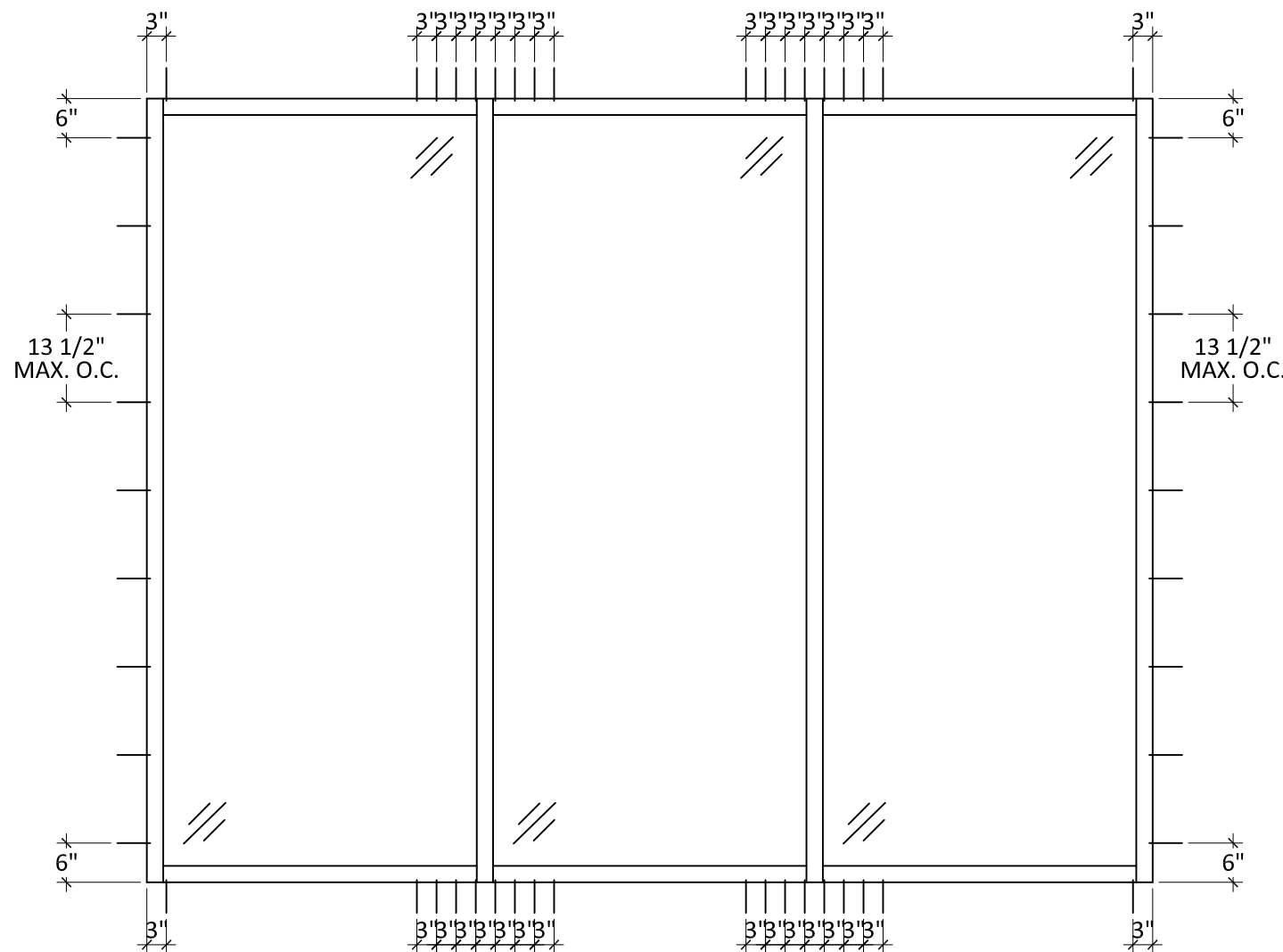
CHK. BY:
SM

SCALE: NTS

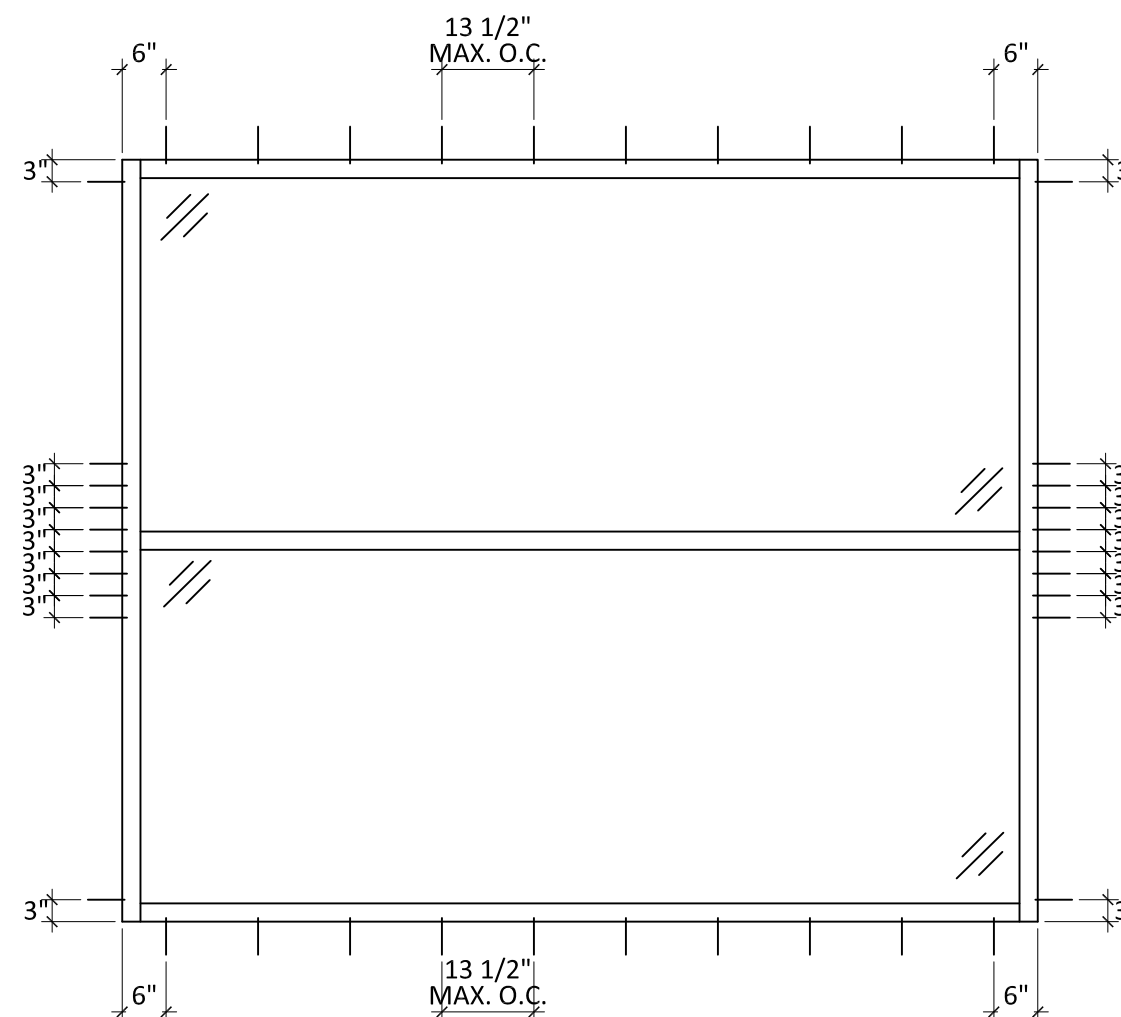
DWG. #: CGS159

SHEET: OF 9

6



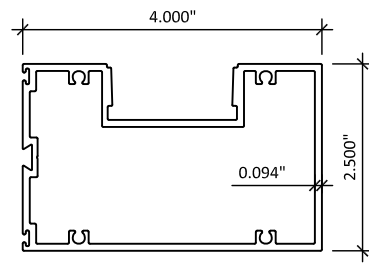
WINDOW WALL TYPICAL ANCHOR LAYOUT
EXTERIOR VIEW



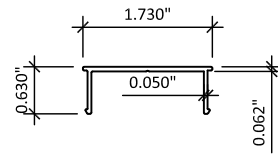
WINDOW WALL TYPICAL ANCHOR LAYOUT
EXTERIOR VIEW

REFER TO SHEET 1 FOR INSTALLATION
REQUIREMENT NOTES

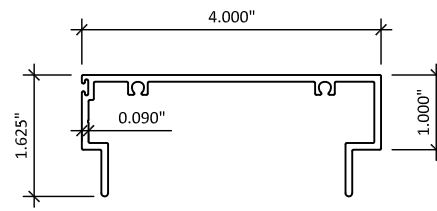
s:\projects\continental_glass_systems\Fbc-lb-0653\Fbc-submittal_series_2010_sliding_glass_door_&_series_3020_fixed_window\dwgs\approval_drawing\3020\cgs159_series_3020_w.dwg 11/1/2017 2:32 PM



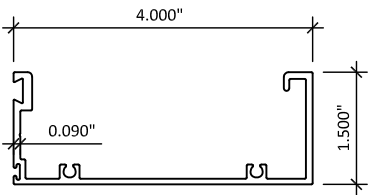
① FRAME HEAD/SILL/JAMB



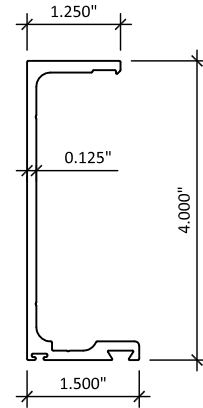
② FRAME COVER



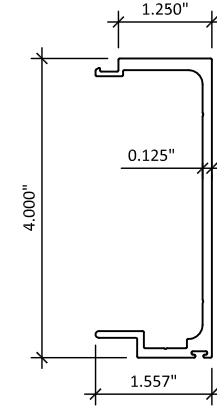
③ INTERMEDIATE - MALE



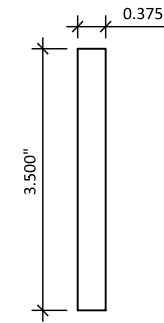
④ INTERMEDIATE - FEMALE



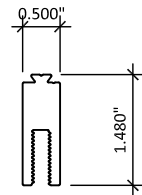
⑤ MULLION - FEMALE



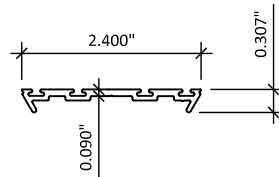
⑥ MULLION - MALE



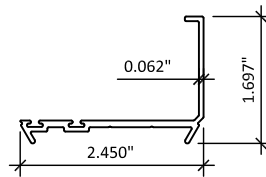
⑦ STEEL REINFORCING



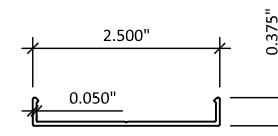
⑧ PRESSURE PLATE ADAPTER



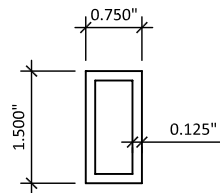
⑨ MULLION PRESSURE PLATE



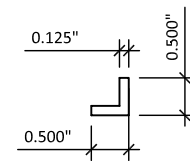
⑩ FRAME PRESSURE PLATE



⑪ PRESSURE PLATE COVER



⑫ SSG MONO. GLASS ADAPTER FRAME



⑬ SSG MONO. GLASS ADAPTER MULL

ITEM NUMBER	PART NUMBER	PART NAME	REMARKS	ALLOY & TEMPERED
1	3020-01	FRAME HEAD/SILL/JAMB		6063-T6
2	3020-02	FRAME COVER		6063-T6
3	3020-03	INTERMEDIATE - MALE		6063-T6
4	3020-04	INTERMEDIATE - FEMALE		6063-T6
5	3020-05	MULLION - FEMALE		6063-T6
6	3020-06	MULLION - MALE		6063-T6
7	3020-07	STEEL REINFORCING		6063-T6
8	3020-08	PRESSURE PLATE ADAPTER		6063-T6
9	3020-09	MULLION PRESSURE PLATE		6063-T6
10	3020-10	FRAME PRESSURE PLATE		6063-T6
11	3020-11	PRESSURE PLATE COVER		6063-T6
12	3020-12	SSG MONO. GLASS ADAPTER FRAME		6063-T6
13	3020-13	SSG MONO. GLASS ADAPTER MULL		6063-T6
14	CGS-01	GLASS SPACING	PROTOTYPE PLASTIC EXTRUSION	

PREPARED BY:



BUILDING DROPS, INC.

398 E. DANIA BEACH BLVD., STE. 338
 DANIA BEACH, FL 33004
 PH: (954)399-8478
 FAX: (954)744.4738
 WEB: www.buildingdrops.com

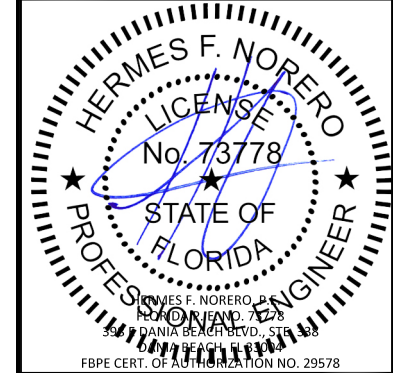
TITLE:
 SERIES 3020 WINDOW WALL
 BOM & COMPONENTS

325 WEST 74 PLACE,
 HIALEAH, FL 33014
 PH: (305)231-1101
 FAX: (305)231-1103



REMARKS	BY	DATE

THIS DOCUMENT IS THE PROPERTY OF BUILDING DROPS, INC. AND SHALL NOT BE REPRODUCED IN WHOLE OR PART WITHOUT WRITTEN CONSENT OF BUILDING DROPS, INC. ALTERATIONS, ADDITIONS, HIGHLIGHTING, OR OTHER MARKINGS TO THIS DOCUMENT ARE NOT PERMITTED AND INVALIDATE OUR CERTIFICATION.



FL23314

DATE: 08.23.17

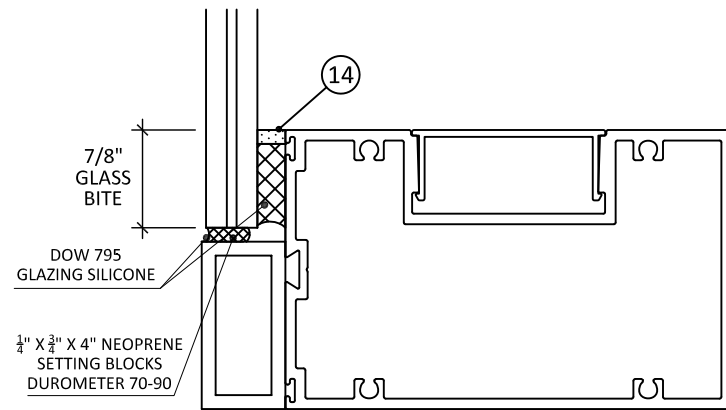
DWG. BY: LA CHK. BY: SM

SCALE: NTS

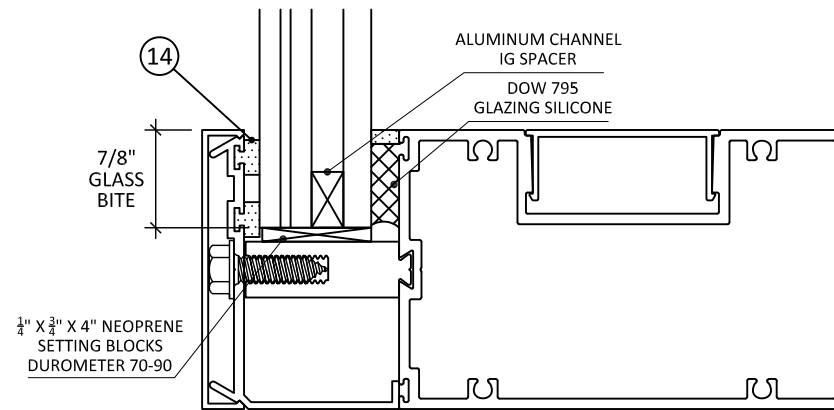
DWG. #: CGS159

SHEET: OF 9

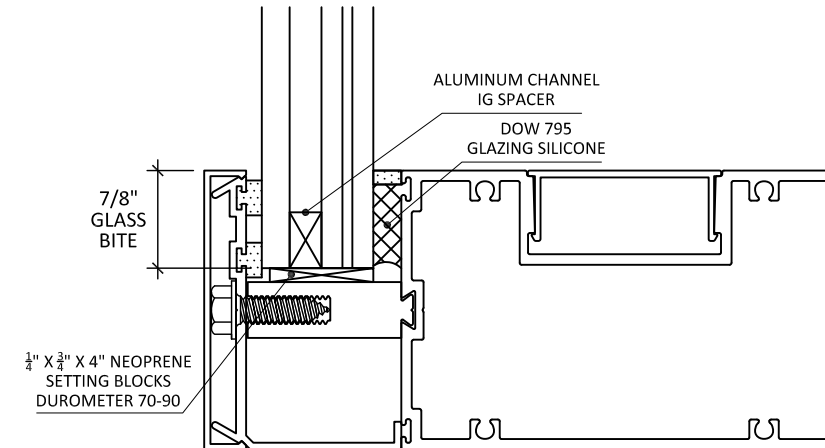
GLAZING DETAILS



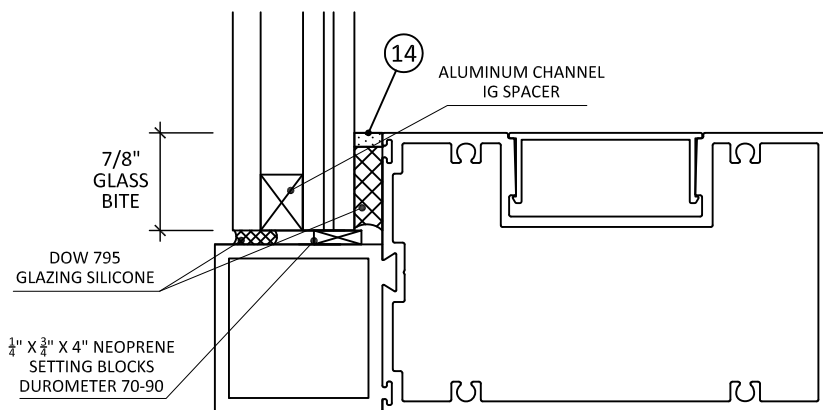
GL-1
GL-2
GL-5



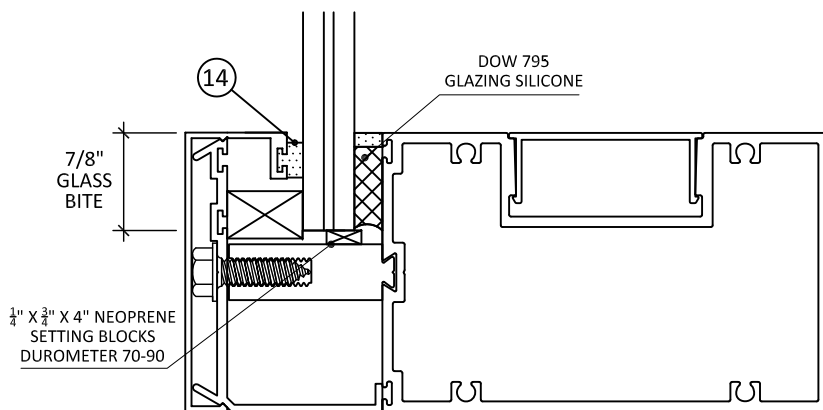
GL-3
GL-4



GL-3A
GL-4A



GL-1A
GL-2A



GL-1B
GL-2B

GLAZING SCHEDULE

TYPE	IMPACT RATING	COMPOSITION
GL-1	LMI	7/16" MONO LAMI: 3/16" HEAT STRENGTHENED - 0.090" BUTACITE PVB - 3/16" HEAT STRENGTHENED
GL-1A	LMI	1" IG LAMI: 3/16" TEMPERED - AIR - 3/16" HEAT STRENGTHENED - 0.090" BUTACITE PVB - 3/16" HEAT STRENGTHENED (LAMI TO INTERIOR)
GL-1B	LMI	7/16" MONO LAMI: 3/16" HEAT STRENGTHENED - 0.090" BUTACITE PVB - 3/16" HEAT STRENGTHENED
GL-2	SMI	7/16" MONO LAMI: 3/16" HEAT STRENGTHENED - 0.060" BUTACITE PVB - 3/16" HEAT STRENGTHENED
GL-2A	SMI	1" IG LAMI: 3/16" TEMPERED - AIR - 3/16" HEAT STRENGTHENED - 0.060" BUTACITE PVB - 3/16" HEAT STRENGTHENED (LAMI TO INTERIOR)
GL-2B	SMI	7/16" MONO LAMI: 3/16" HEAT STRENGTHENED - 0.060" BUTACITE PVB - 3/16" HEAT STRENGTHENED
GL-3	LMI	1" IG LAMI: 3/16" HEAT STRENGTHENED - 0.090" BUTACITE PVB - 3/16" HEAT STRENGTHENED - AIR - 3/16" TEMPERED (LAMI TO EXTERIOR)
GL-3A	LMI	1" IG: 3/16" TEMPERED - AIR - 3/16" HEAT STRENGTHENED - 0.090" BUTACITE PVB - 3/16" HEAT STRENGTHENED (LAMI TO INTERIOR)
GL-4	SMI	1" IG LAMI: 3/16" HEAT STRENGTHENED - 0.060" BUTACITE PVB - 3/16" HEAT STRENGTHENED - AIR - 3/16" TEMPERED (LAMI TO EXTERIOR)
GL-4A	SMI	1" IG: 3/16" TEMPERED - AIR - 3/16" HEAT STRENGTHENED - 0.060" BUTACITE PVB - 3/16" HEAT STRENGTHENED (LAMI TO INTERIOR)
GL-5	LMI	9/16" MONO LAMI: 1/4" HEAT STRENGTHENED - 0.090" BUTACITE PVB - 1/4" HEAT STRENGTHENED

NOTE, GLAZING DETAILS SHOWN ARE QUALIFIED FOR USE ON THE SECTION DETAILS SHOWN ON SHEETS 4 AND 5, AT THE ALLOWABLE PRESSURES AND SPANS SPECIFIED IN THE DESIGN PRESSURE TABLE ON SHEET 1.

PREPARED BY:



BUILDING DROPS, INC.

398 E. DANIA BEACH BLVD., STE. 338
DANIA BEACH, FL 33004
PH: (954)399-8478
FAX: (954)744.4738
WEB: www.buildingdrops.com

SERIES 3020 WINDOW WALL
GLAZING DETAILS

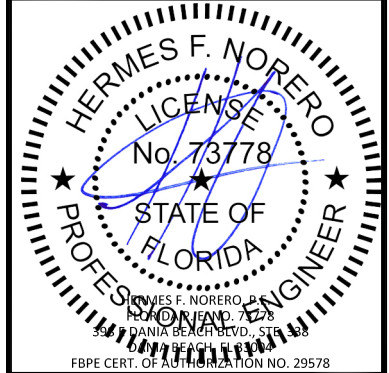
325 WEST 74 PLACE,
HIALEAH, FL 33014
PH: (305)231-1101
FAX: (305)231-1103



TITLE:

REMARKS	BY	DATE

THIS DOCUMENT IS THE PROPERTY OF BUILDING DROPS, INC. AND SHALL NOT BE REPRODUCED IN WHOLE OR PART WITHOUT WRITTEN CONSENT OF BUILDING DROPS, INC. ALTERATIONS, ADDITIONS, HIGHLIGHTING, OR OTHER MARKINGS TO THIS DOCUMENT ARE NOT PERMITTED AND INVALIDATE OUR CERTIFICATION.



FL23314

DATE: 08.23.17

DWG. BY: LA CHK. BY: SM

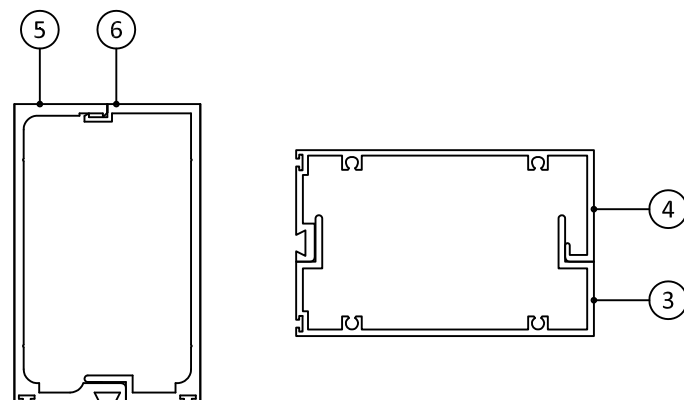
SCALE: NTS

DWG. #: CGS159

SHEET: OF 9

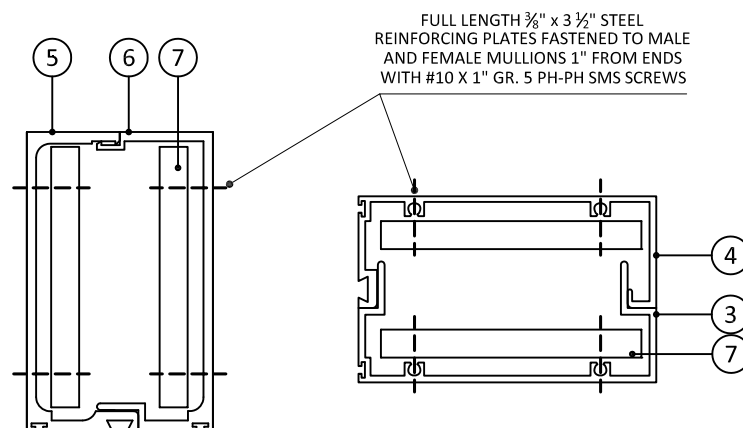
8

REINFORCING DETAILS



UNREINFORCED MULLIONS

UP TO 60 PSF & 96" SPAN
OR UP TO 90 PSF & 48" SPAN



REINFORCED MULLIONS

UP TO 90 PSF & 120" SPAN

REINFORCING NOTES:

- REINFORCING (ITEM #7) IN MULLIONS NOT REQUIRED FOR SPANS UP TO 96" AT DP +/-60 PSF, OR FOR SPANS UP TO 48" AT 90 PSF.
- REINFORCING REQUIRED FOR SPANS OVER 96" AND/OR DP GREATER THAN +/- 60 PSF.
- SEE DESIGN PRESSURE TABLE, SHEET 1.

ASSEMBLY NOTES:

1. PRESSURE PLATES (ITEM 9 & 10) FASTENED 6" FROM CORNERS AND 12" O.C. USING #10 X 1" GR. 5 PH-PH SMS SCREWS
2. FRAME CORNER CONSTRUCTION USES TWO #10 X 1" GR. 5 PH-PH SMS SCREWS AT CORNERS OF EACH PANEL:
 - 2.3. THROUGH FRAME HEAD/SILL/JAMB PROFILE INTO FRAME HEAD/SILL/JAMB PROFILE AT OVERALL FRAME CORNERS
 - 2.4. THROUGH MALE AND FEMALE MULLIONS, INTO FRAME HEAD/SILL/JAMB PROFILE, ALONG FRAME PERIMETER
 - 2.5. THROUGH MALE AND FEMALE MULLIONS, INTO INTERMEDIATE MALE AND FEMALE COMPONENTS AT INTERMEDIATE MEMBER LOCATIONS
3. GLASS ADAPTERS (ITEMS 12 & 13) ATTACHED TO FRAME WITH SILICONE

PREPARED BY:

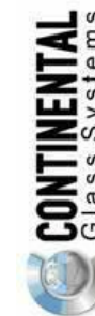


BUILDING DROPS, INC.

398 E. DANIA BEACH BLVD., STE. 338
DANIA BEACH, FL 33004
PH: (954)399-8478
FAX: (954)744.4738
WEB: www.buildingdrops.com

SERIES 3020 WINDOW WALL
REINFORCING DETAILS
& ASSEMBLY NOTES

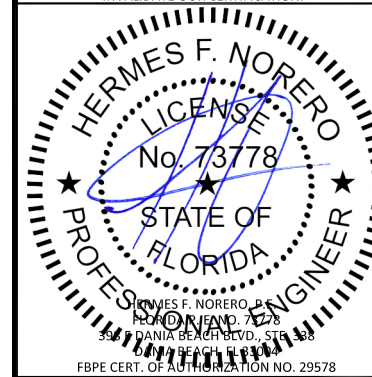
325 WEST 74 PLACE,
HIALEAH, FL 33014
PH: (305)231-1101
FAX: (305)231-1103



TITLE:

REMARKS	BY	DATE

THIS DOCUMENT IS THE PROPERTY OF BUILDING DROPS, INC. AND SHALL NOT BE REPRODUCED IN WHOLE OR PART WITHOUT WRITTEN CONSENT OF BUILDING DROPS, INC. ALTERATIONS, ADDITIONS, HIGHLIGHTING, OR OTHER MARKINGS TO THIS DOCUMENT ARE NOT PERMITTED AND INVALIDATE OUR CERTIFICATION.



FL23314

DATE: 08.23.17

DWG. BY: LA CHK. BY: SM

SCALE: NTS

DWG. #: CGS159

SHEET: OF 9

9